

CI SIGNATURE ROOMS

Coupe & Dome 3

Room Size Minimum | 12' x 10'

Seating Capacity | 3

Facility Requirements | 2x Power Sockets, 2x Data Ports, Wall Blocking

Small huddle rooms are the key to supporting the day to day collaboration between individuals. This enclave is enclosed for privacy and has collaboration and video conferencing capabilities.

TECHNOLOGY

65" Display | \$7,836.00 (Pictured Right)

Dual 55" Displays | \$8,799.00

Dual 43" Displays | \$8,436.00

Key Features | Wireless Content Sharing, One-Button Join Functionality

Convenience Outlets above Table | 1x Power Outlet, 2x USB Charging

Included Technology | 65" Samsung UHD LED backlit LCD TV, Rallybar Mini (Sound Bar and Camera), Logitech Tap (Touch Controller)

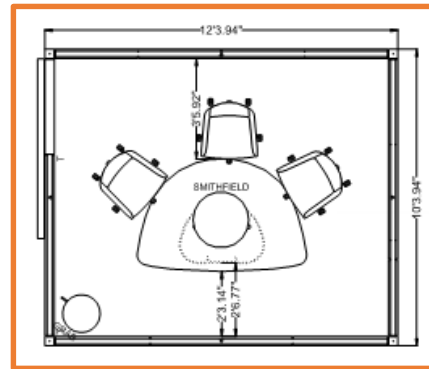
FURNITURE

Steelcase Coupe 3 | \$3,180.00

Terrain Dome 3 | \$1,440.00

Steelcase Karman | \$950/ea.

*** Please Note:** Standard AV system pricing in this document is for budgeting purposes only and does not include taxes. Factors that dictate the final pricing for a system may include project location, local labor rates, union labor requirements. Any project budgeting exercise using this pricing guide should include a 10% contingency.



Catalogue # 20-2030





Ocular Coupe & Dome 3 CI Signature

Footprint

12' X 10'

Seats

3

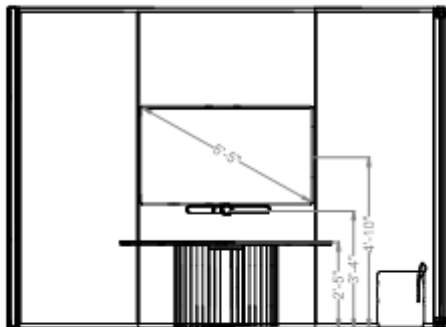
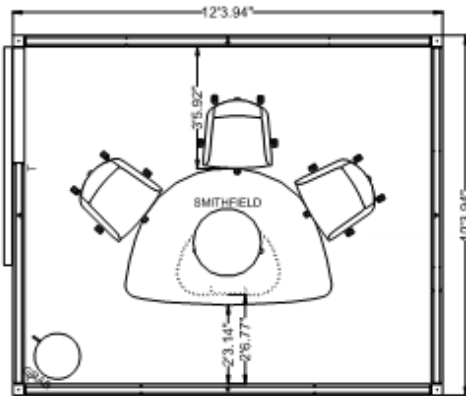
Budgetary Pricing

65" Display - \$7,836.00 (Shown Below)

Dual 55" Display's - \$8,799.00

Dual 43" Display's - \$8,436.00

*** Please Note:** Standard AV system pricing in this document is for budgeting purposes only and does not include taxes. Factors that dictate the final pricing for a system may include project location, local labor rates, union labor requirements. Any project budgeting exercise using this pricing guide should include a 10% contingency.



COUPE 3 | ELEVATION



FURNITURE

Steelcase Coupe 3 Table | \$3180.00

Terrain Dome 3 Table | \$2,100.00

Steelcase Karman Chairs | \$950/ea.

Concept

Small huddle rooms are the key to supporting the day to day collaboration between individuals . This enclave is enclosed for privacy and has collaboration and video conferencing capabilities.

Key Features

- Wireless Content Sharing
- One Button Join Functionality

Convenience Outlets above Table

- 1x Power Socket
- 2x USB Charging

Included Technology

- 4K Displays
- Wall Mount
- Collaboration

Facility Requirements for the Display

- 2x Power Sockets
- 2x Data Ports
- Wall Blocking

Samsung 65" 65" UHD LED backlit LCD TV - Black

Rallybar Mini Mini Soundbar Camera

Logitech Tap Touch controller for meetings rooms

Labor Install System

Hedberg # 202876

CI SIGNATURE ROOMS

Coupe & Dome 5

Room Size Minimum | 16' x 14'

Seating Capacity | 5

Facility Requirements | 2x Power Sockets, 2x Data Ports, Wall Blocking

This 5-person meeting room allows users to array themselves around the table for remote participants to easily view individuals. The Logitech Rally Bar Mini below the display supports eye-to-eye contact. People can easily see meeting details and reserve a room with Logitech Tap Scheduler.

TECHNOLOGY

85" Display | \$10,332.00 (Pictured Right)

Dual 65" Displays | \$10,671.00

Dual 55" Displays | \$9,986.00

Key Features | Wireless Content Sharing, One Button Join Functionality

Convenience Outlets above Table | 1x Power Outlet, 2x USB Charging

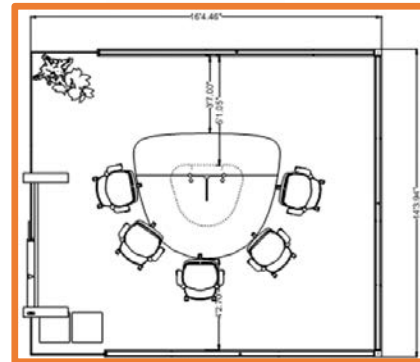
Included Technology | 85" UHD LED backlit LCD TV, Rallybar Large (Sound Bar and Camera), Logitech Tap (Touch Controller)

FURNITURE

Steelcase Coupe 5 | \$4,610.00

Terrain Dome 5 | \$2,700.00

Steelcase Karman | \$950/ea.



Catalogue # 20-2030

*** Please Note:** Standard AV system pricing in this document is for budgeting purposes only and does not include taxes. Factors that dictate the final pricing for a system may include project location, local labor rates, union labor requirements. Any project budgeting exercise using this pricing guide should include a 10% contingency.



Ocular Coupe & Dome 5 CI Signature

Footprint
16' X 14'

Seats
5

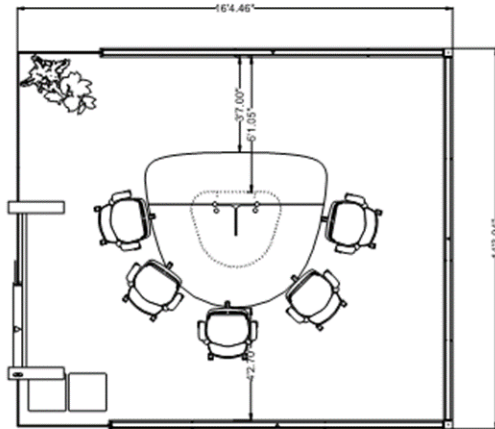
Budgetary Pricing

85" Display - \$10,332.00 (Shown Below)

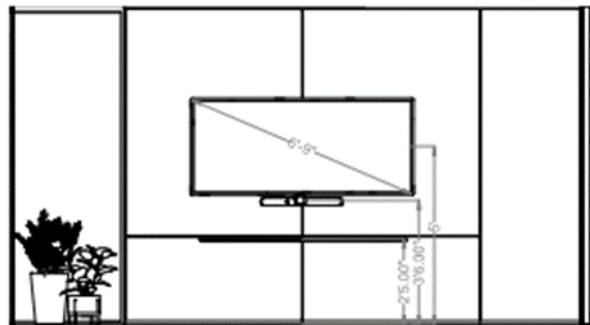
Dual 65" Display's - \$10,671.00

Dual 55" Display's - \$9,986.00

*** Please Note:** Standard AV system pricing in this document is for budgeting purposes only and does not include taxes. Factors that dictate the final pricing for a system may include project location, local labor rates, union labor requirements. Any project budgeting exercise using this pricing guide should include a 10% contingency.



COUPE 5 | PLAN



COUPE 5 | ELEVATION



FURNITURE

Steelcase Coupe 5 Table | \$4,610.00

Terrain Dome 5 Table | \$2,700.00

Steelcase Karman Chairs | \$950/ea.

Concept

This 5-person meeting room allows users to array themselves around the table for remote participants to easily view individuals.

Design Considerations:

Logitech Rally Bar Mini below the display supports eye-to-eye contact. People can easily see meeting details and reserve a room with Logitech Tap Scheduler.

Key Features

- Wireless Content Sharing
- One Button Join Functionality

Convenience Outlets above Table

- 1x Power Socket
- 2x USB Charging

Included Technology

- 4K Displays
- Wall Mount
- Collaboration

Facility Requirements for the Display

- 2x Power Sockets
- 2x Data Ports
- Wall Blocking

85" Samsung

85" UHD LED backlit LCD TV - Black

Rallybar

Large soundbar and camera

Logitech Tap

Touch controller for meetings rooms

Labor

Install System